

# SIDEXIS SYNC SERVICES VIDEOAPP

Medical Care Center welldent GmbH

## Integration of DentsplySirona SIROCAM video cameras into a Sidexis XG Terminal Server installation



### Current situation



The interdisciplinary Medical Care Center welldent GmbH covers the entire dental treatment spectrum at 3 locations. Since 1999, the company has been organized largely paperless. A central data center for all locations serves this purpose. This provides access to all applications including digital X-ray and imaging systems via CITRIX Terminal Server. In this context, a Sidexis XG 2.5 "Terminal Server Edition" is operated centrally as well. The DentsplySirona treatment units (INTEGO) operate SIROCAM intraoral video cameras

### The problem

In combination with the central Sidexis TSE installation, no practical integration of the existing intraoral SIROCAM video cameras was made for the customer. The reason for this is the required real-time transmission of the live video data from the treatment center to the remote server and the simultaneous display of the live image on the local PC. A purely local use of the USB intraoral cameras at the treatment centers without storing the image data in the central Sidexis TSE database would represent a significant step backwards compared to an existing solution.

The customer was looking for an integration solution that would enable real interaction with the video data using the existing Sidexis TSE database.

**SIDEXIS SYNC SERVICES** is an add on product for the DentsplySirona Sidexis Software

Additional information about RSWE add on products can be found at [www.sidexisplugins.com](http://www.sidexisplugins.com)

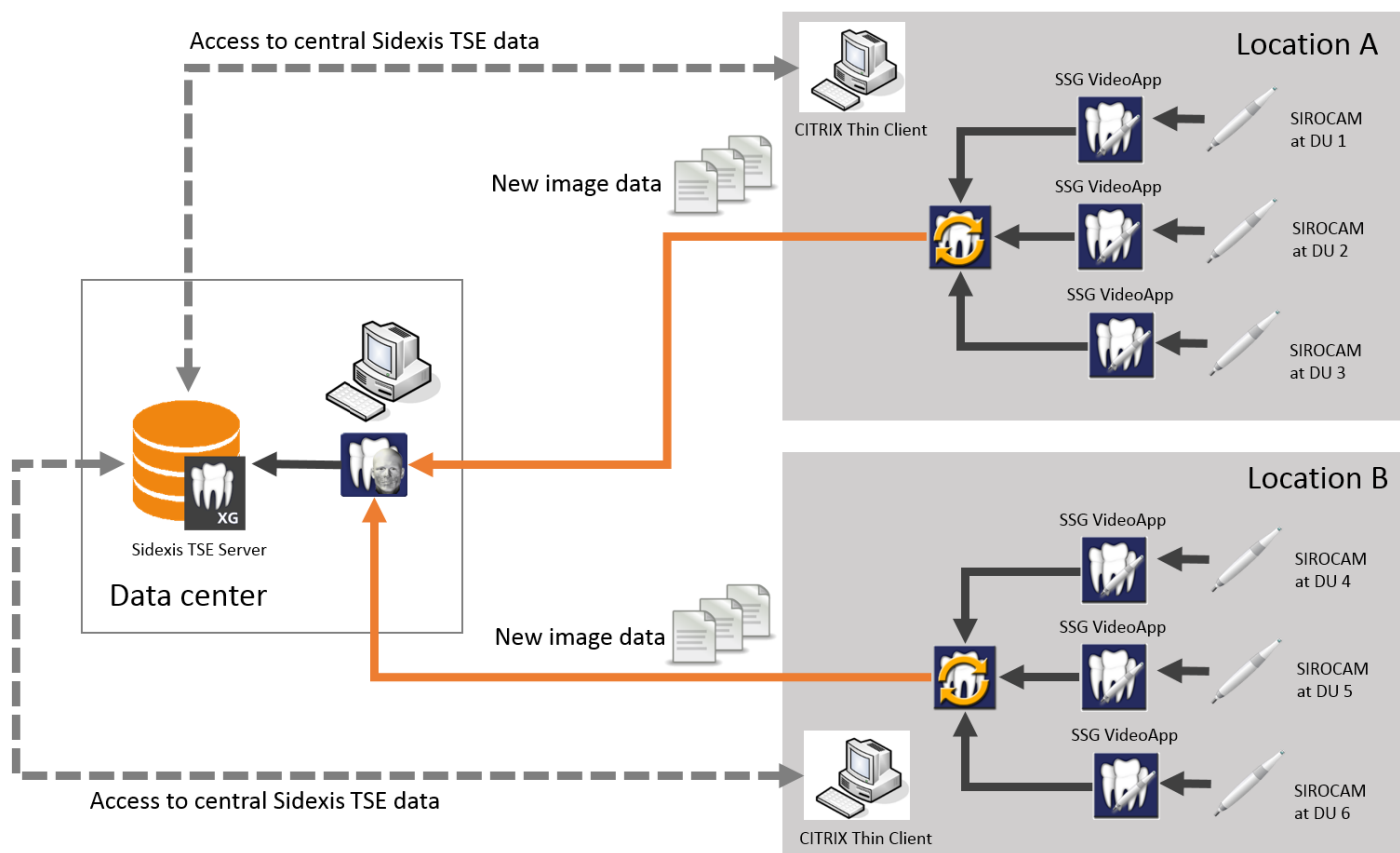
SIDEXIS XG TSE, INTEGO and SIROCAM are products of DentsplySirona  
SIDEXIS SYNC SERVICES is a RSWE product.

Customer

Medical Care Center  
welldent GmbH,  
Hansaring 55  
50670 Köln

## The solution

The new video app extension for SidexisSyncServices from RSWE closed the gap in connection with the Sidexis TSE installation. The existing USB intraoral cameras on all INTEGO units can be connected to the central Sidexis TSE application without additional local Sidexis client installation.



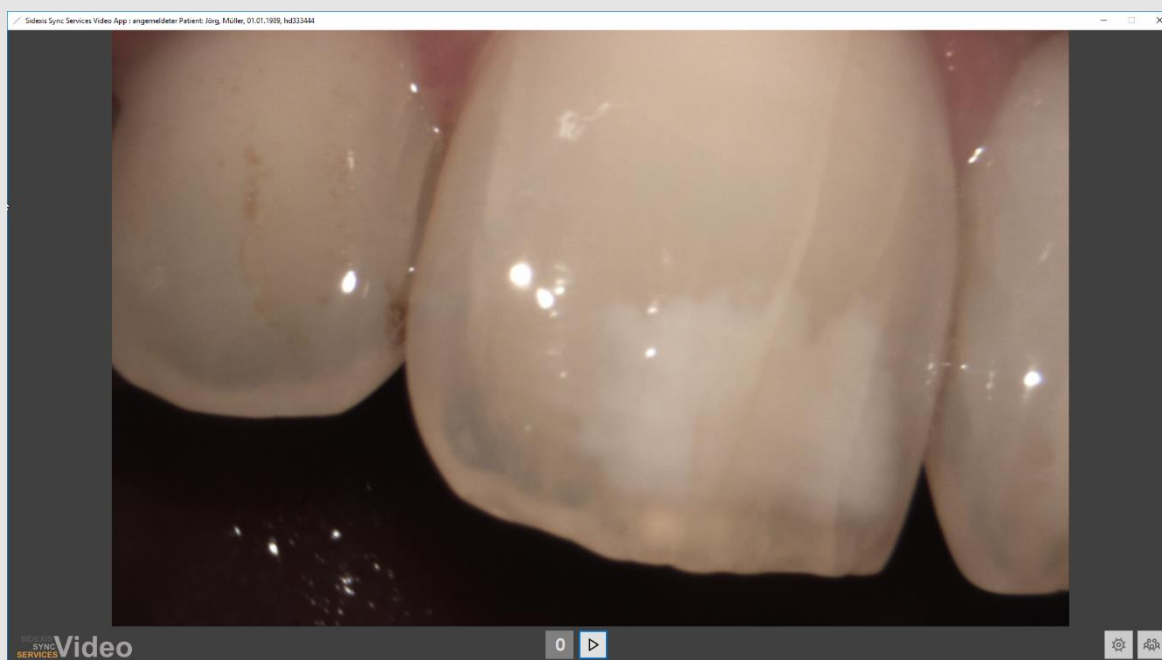
## Benefits

- Full use of existing SIROCAM intraoral cameras directly at the treatment centers in connection with a Sidexis Terminal Server Edition installation.
- Utilization of existing SIROCAM intraoral cameras for documentation of treatment services and data storage in a central Sidexis TSE database.
- No need to install additional local Sidexis XG installations to store SIROCAM video data. The SidexisSyncServices VideoApp is sufficient to display the live video data completely.
- Complete integration into the existing practice system.
- Fully automatic patient registration out of practice administration.
- Legally secure documentation.
- No difficulty installing the SidexisSyncServices Video App.
- Easy configuration and operation.
- Low, only slightly increased training costs for the practice staff.
- Supports the treatment center monitor as a secondary monitor.

## Summary

By using the SidexisSyncServices Video App the following goals were realized:

- Integration of decentralized SIROCAM intraoral video cameras into existing Sidexis Terminal Server installation.
- Automatic video data storage of intraoral video images in existing, central Sidexis database.
- Full use of the INTEGO / SIROCAM workflows, including:
  - Automatic detection of camera removal
  - Detection of camera storage
  - Support of the INTEGO footswitch
  - Automatic still image storage in the Sidexis database



REINKE SOFTWARE ENGINEERING  
Erlenweg 9  
64665 Alsbach

<http://www.rswe.com>

[firstcontact@rswe.com](mailto:firstcontact@rswe.com)